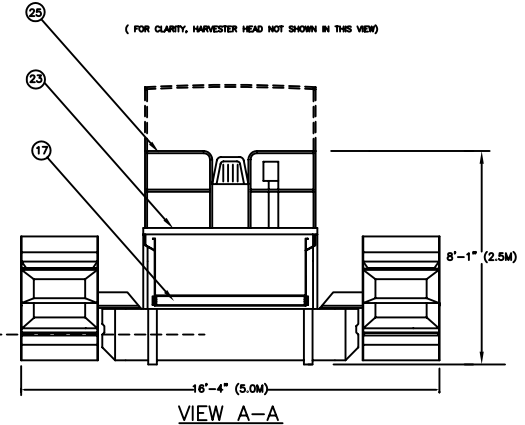
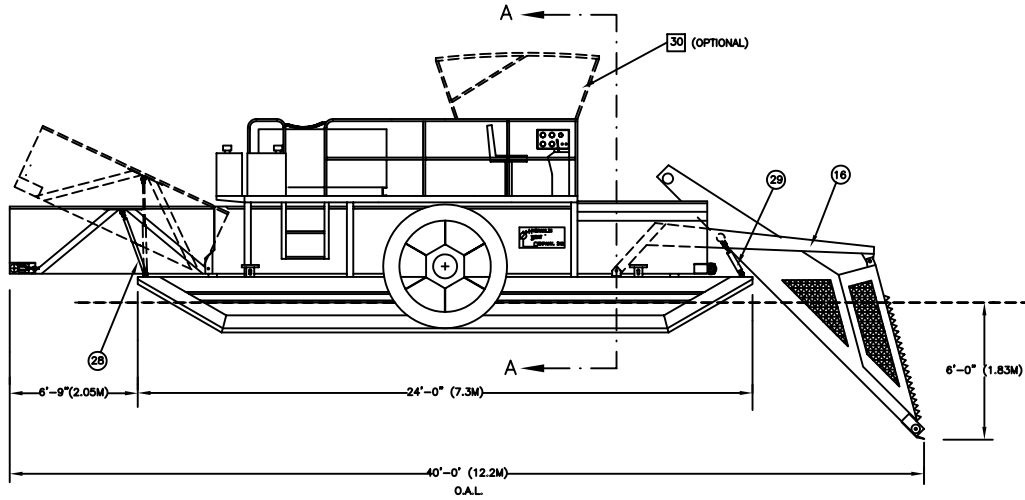


PARTS LIST				
ITEM	QTY	DWG/PART NO.	DESCRIPTION	WGT.
1	1		MONOHULL	
2	1		MAIN CONVEYOR	
3	1		REAR CONVEYOR	
4	1		HARVESTER HEAD	
5	2		PADDLE WHEEL	
6	4		BELTING	
7	1		DIESEL ENGINE	
8	1		HYD. PUMP	
9	1		DIESEL FUEL TANK	
10	2		HYD. TANK	
11	2		PADDLE WHEEL ARM/DRIVE ASSY.	
12	1		NON-SLIP DECKING	
13	1		CONTROL CONSOLE	
14	1		INSTRUMENT PANEL	
15	1		OPERATOR SEAT	
16	1		LIFT CRANE	
17	1		IDLER ROLLER	
18	1		HYD. MOTOR CONNV	
19	1		HYD. MOTOR HARVESTER HEAD	
NA				
NA				
NA				
23	1		PLATFORM	
NA				
NA				
25	2		SAFETY RAILING	
26	4		CLEAT/LIFTING EYE	
27	1		NON-SLIP STRIPS TYP.	
28	2		HYD. CYL. REAR CONNV.	
29	2		HYD. CYL. HARVESTER HEAD	

OPTIONAL ITEMS	
30	SUN ROOF
	* ENCLOSED OPERATOR CAB
	* CAB HEATER
	* HYD. POWER TAKE-OFF
	* TOOL KIT W/BOX
	* AIR CONDITIONER

* NOT SHOWN ON DRAWING



Model: HYDRO-STAR HB-7			
Title: AQUATIC PLANT HARVESTER GENERAL ARRANGEMENT			
Drawn: R/JF	Date: 9/10/2000	Prep. No.:	Scale: N.T.S.
Checked:	Date:	D-0108	Project:
Approved:	Date:		